



MARLEY
R E N T A L S

RENTA INDUSTRIAL CARRY DECK CRANE
IC80-3G



OFICINAS



(81) 8850-3912



INDUSTRIAL CARRY DECK CRANE IC80-3G

MODELO

IC80-3G

Boom

| | |
|--|-----------------------|
| I Min Height @ Max Raise Angle | 20 ft in (6.1 m) |
| J Max Height @ Max Raise Angle - no jib | 37.42 ft in (11.41 m) |
| K Min Operating Radius | 5 ft in (1.53 m) |
| L Max Operating Radius | 40 ft in (12.2 m) |
| M Max Elevating Angle | 70 degrees |

Dimensions

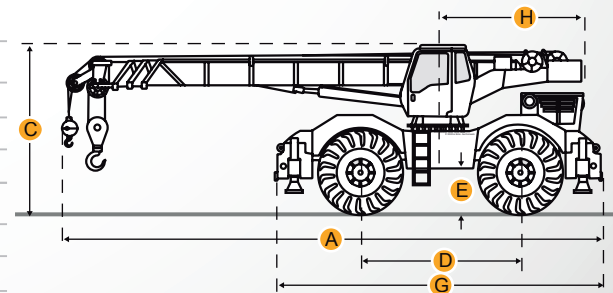
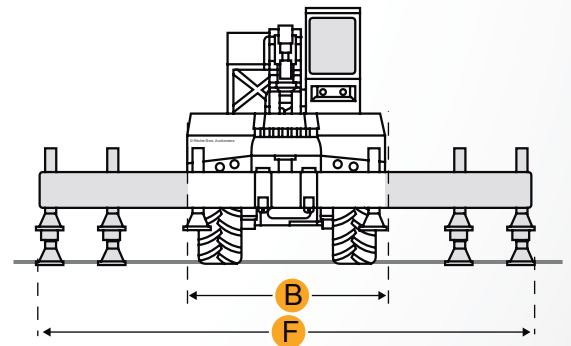
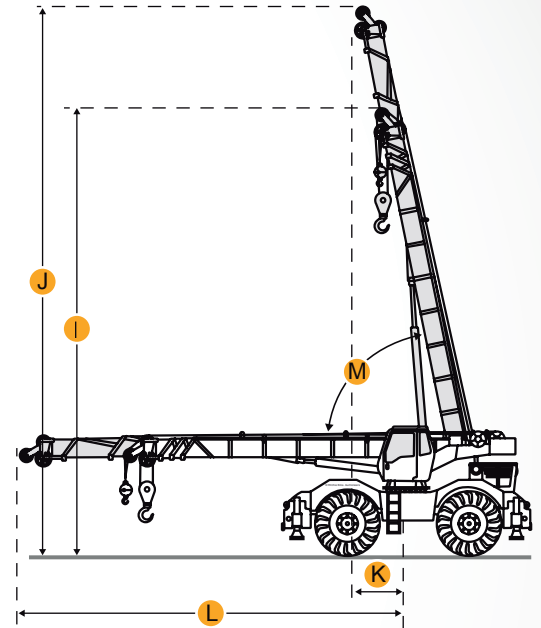
| | |
|--|--------------------------|
| A Transport Length | 17.73 ft in (5404.11 mm) |
| B Transport Width | 6.5 ft in (1981.2 mm) |
| C Transport Height | 7.25 ft in (2209.8 mm) |
| D Wheelbase | 7.17 in (2185.42 mm) |
| E Ground Clearance | 0.58 ft in (176.79 mm) |
| F Width w/ Outriggers Extended | 9.58 ft in (2919.99 mm) |
| G Carrier/Base Length | 12.81 ft in (3904.49 m) |
| H Upper Structure Tail Swing Radius | 4.76 ft in (1450.85 mm) |

Boom

| | |
|---------------------------------------|----------------------|
| Number of Sections | 3 |
| Min Height @ Max Raise Angle | 20 ft in (6.1 m) |
| Max Height @ Max Raise Angle - no jib | 37.5 ft in (11.5 m) |
| Max Elevating Angle | 70 degrees |
| Swing Speed | 2 rpm |
| Max Lift Capacity | 18000 lb (8164.7 kg) |
| Min Operating Radius | 5 ft in (1.6 m) |
| Max Operating Radius | 40 ft in (12.2 m) |

Dimensions

| | |
|-----------------------------------|------------------------|
| Transport Length | 17.8 ft in (5404.2 mm) |
| Transport Width | 6.5 ft in (1981.2 mm) |
| Transport Height | 7.3 ft in (2209.8 mm) |
| Ground Clearance | 0.6 ft in (176.8 mm) |
| Wheelbase | 7.2 in (2185.5 mm) |
| Width w/ Outriggers Extended | 9.6 ft in (2920 mm) |
| Carrier/Base Length | 12.9 ft in (3904.5 m) |
| Upper Structure Tail Swing Radius | 4.8 ft in (1450.9 mm) |





Ficha Tecnica

IC-80-3G

| CAPACITIES APPLY TO OPERATION ON FIRM LEVEL SURFACE | | | | | | |
|---|---|---------------|------------|---------------|------|------|
| LOAD RADIUS FEET | MAIN BOOM OR EXTENSION CAPACITIES IN POUNDS | | | | | |
| | 360° ROTATION | | OVER FRONT | | | |
| | ON RUBBER | ON OUTRIGGERS | ON RUBBER | ON OUTRIGGERS | | |
| 5 | 9400 | 17000 | 11400 | 18000 | | |
| 6 | 7550 | 14000 | 10000 | 14000 | | |
| 8 | 5600 | 10000 | 8100 | 10000 | | |
| 10 | 4300 | 7700 | 6100 | 7700 | | |
| 12 | 3200 | 6100 | 4450 | 6100 | | |
| 14 | 2550 | 5200 | 3400 | 5200 | | |
| 16 | 2050 | 4400 | 2700 | 4400 | | |
| 18 | 1650 | 3900 | 2200 | 3900 | | |
| 20 | 1350 | 3400 | 1800 | 3400 | | |
| 22 | 1150 | 3050 | 1550 | 3050 | | |
| 24 | 1000 | 2750 | 1350 | 2800 | | |
| 26 | 850 | 2450 | 1200 | 2550 | | |
| 28 | 750 | 2200 | 1100 | 2350 | | |
| 30 | 650 | 1950 | 1000 | 2150 | | |
| 32 | 450 | 1750 | 900 | 1950 | | |
| 34 | 350 | 1600 | 800 | 1800 | | |
| 36 | 250 | 1450 | 700 | 1650 | | |
| 38 | 200 | 1300 | 600 | 1500 | | |
| 40 | 150 | 1150 | 500 | 1400 | | |
| 10' BOOM EXT. | 10-FOOT BOOM EXTENSION - STRAIGHT OR OFFSET | | | | | |
| | MAIN BOOM ANGLE | | | | | |
| | ANGLE | 0° | 30° | 45° | 60° | 70° |
| | *† 0° | 2250 | 2600 | 3200 | 5000 | 7000 |
| † 15° | --- | 2400 | 2700 | 3500 | 4200 | |
| † 30° | --- | 2250 | 2500 | 3000 | 3300 | |

* USE 0° FOR STRAIGHT BOOM EXTENSION.
 † USE 0°, 15° OR 30° FOR OFFSET BOOM EXTENSION.

CAUTION: BOOM EXTENSION LOADS MUST NOT EXCEED MAIN BOOM CAPACITY. DO NOT PICK & CARRY WITH LOADS ON BOOM EXTENSION.

CAPACITIES ON OUTRIGGERS ARE 85% OF TIPPING LOADS. CAPACITIES ON RUBBER ARE 75% OF TIPPING LOADS. CAPACITIES BELOW BOLD LINE ARE LIMITED BY TIPPING. OTHER CAPACITIES ARE LIMITED BY STRUCTURAL OR HYDRAULIC CAPABILITY.

