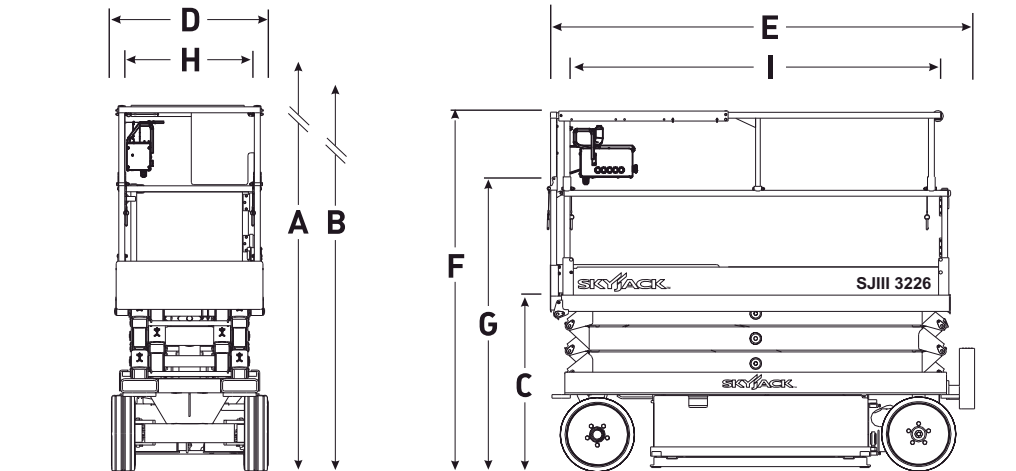


Imagen Ilustrativa.

SJIII 3226



SPECIFICATIONS	SJIII 3226
A Work Height	32' (9.8 m)
B Raised Platform Height	26' (7.9 m)
C Lowered Platform Height	45" (1.1 m)
D Overall Width	32" (0.8 m)
E Overall Length	91.5" (2.3 m)
F Stowed Height (Rails Up)	84.7" (2.2 m)
G Stowed Height (Rails Down)	70.6" (1.8 m)
H Platform Width (Inside Dimension)	28" (0.7 m)
I Platform Length (Inside Dimension)	84" (2.1 m)
Extension Deck (Roll Out)	3' (0.9 m)
Ground Clearance (Stowed)	3.5" (8.9 cm)
Ground Clearance (raised)	0.75" (1.9 cm)
Wheelbase	69" (1.8 m)
Weight	4,135 lbs (1,876 kg)
Gradeability	25%
Turning Radius (Inside)	50" (1.3 m)
Turning Radius (Outside)	108" (2.7 m)
Lift Time (With Rated Load)	56 sec
Drive Speed (Stowed)	2 mph (3.2 km/h)
Drive Speed (Raised)	0.7 mph (1.1 km/h)
Maximum Drive Height	Full Height
Capacity (Overall)	500 lbs (227 kg)
Maximum # of Persons	2

STANDARD FEATURES

- Drivable at full height
- Variable speed, rear two wheel hydraulic drive
- Dual holding brakes
- Proportional controls for drive & lift functions
- 3' (0.9 m) roll out extension deck
- 24V DC power source
- Low voltage battery protection
- Analog control system
- Color coded and numbered wiring system
- 25% gradeability
- Solid rubber, non-marking tires
- Pothole protection system
- 110V AC outlet on platform with GFI
- Tilt alarm with drive & lift cut-out
- All motion audible alarm
- Operator horn
- Hinged railing system (3226 only)
- Lanyard attachment points
- Forklift pockets and tie down/lift lugs