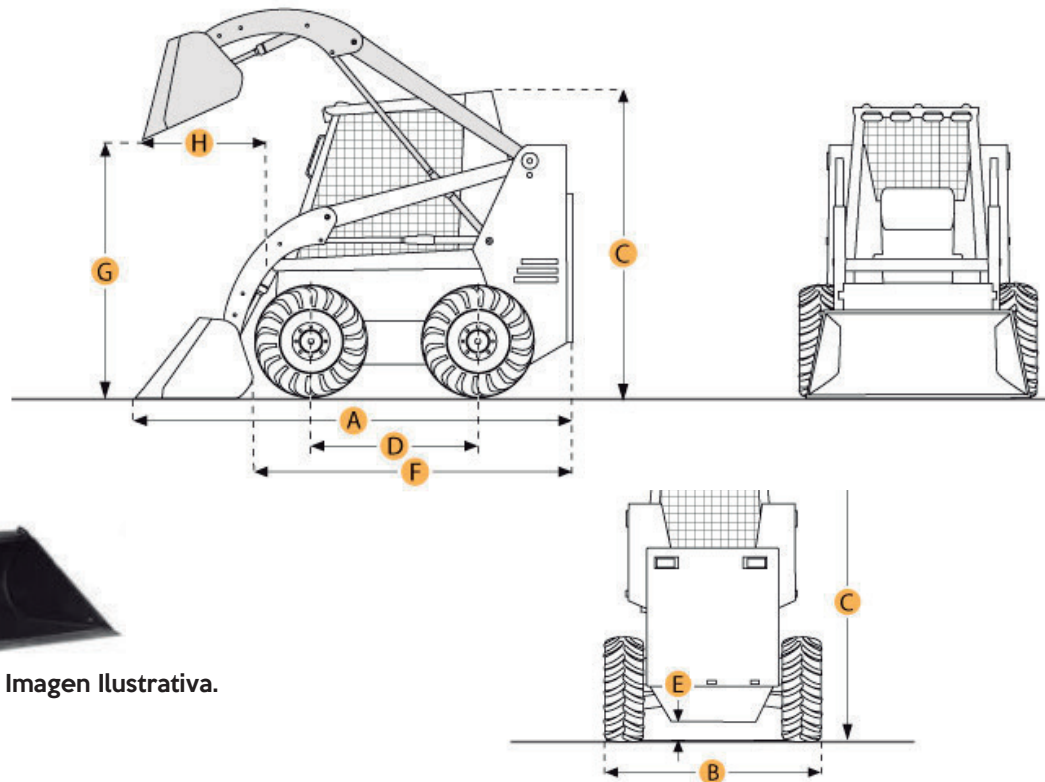


## 317 SKID STEER LOADER



Imagen Ilustrativa.



### MODELO

### 317

#### Dimensions

A. Length with Bucket	10.5 ft in 3195 mm
B. Width Over Tires	5.3 ft in 1628 mm
C. Height to Top of Cab	6.3 ft in 1915 mm
D. Wheelbase	3.5 ft in 1074 mm
E. Ground Clearance	8.2 in 208 mm
F. Length w/o Bucket	8.5 ft in 2591 mm
G. Clearance at Max Lift and Dump	7.4 ft in 2255 mm
H. Reach at Max Lift and Dump	29.1 in 739 mm