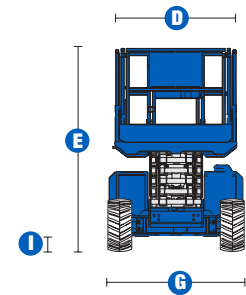
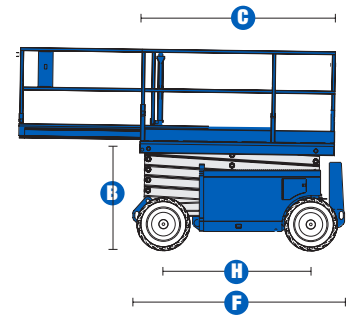


GS-2668 RT

Imagen Ilustrativa.



Specifications

MODELS

GS™-2668 RT

MEASUREMENTS	Metric	US
Working height maximum*	9.92 m	32 ft
A Platform height maximum	7.92 m	26 ft
B Platform height - stowed	1.19 m	3 ft 10.75 in
C Platform length - outside	2.51 m	8 ft 3 in
- extended	3.75 m	12 ft 3 in
Slide-out platform extension deck	1.22 m	4 ft
D Platform width - outside	1.55 m	5 ft 1 in
Toeboard height	15 cm	6 in
E Height - stowed**	2.32 m	7 ft 7.5 in
rails lowered	1.70 m	5 ft 7 in
F Length - stowed	2.67 m	8 ft 9 in
platform extended	4.10 m	13 ft 5.5 in
with outriggers	3.38 m	11 ft 3 in
G Width	1.73 m	5 ft 8 in
H Wheelbase	1.85 m	6 ft 1 in
I Ground clearance - centre	19 cm	7.5 in

